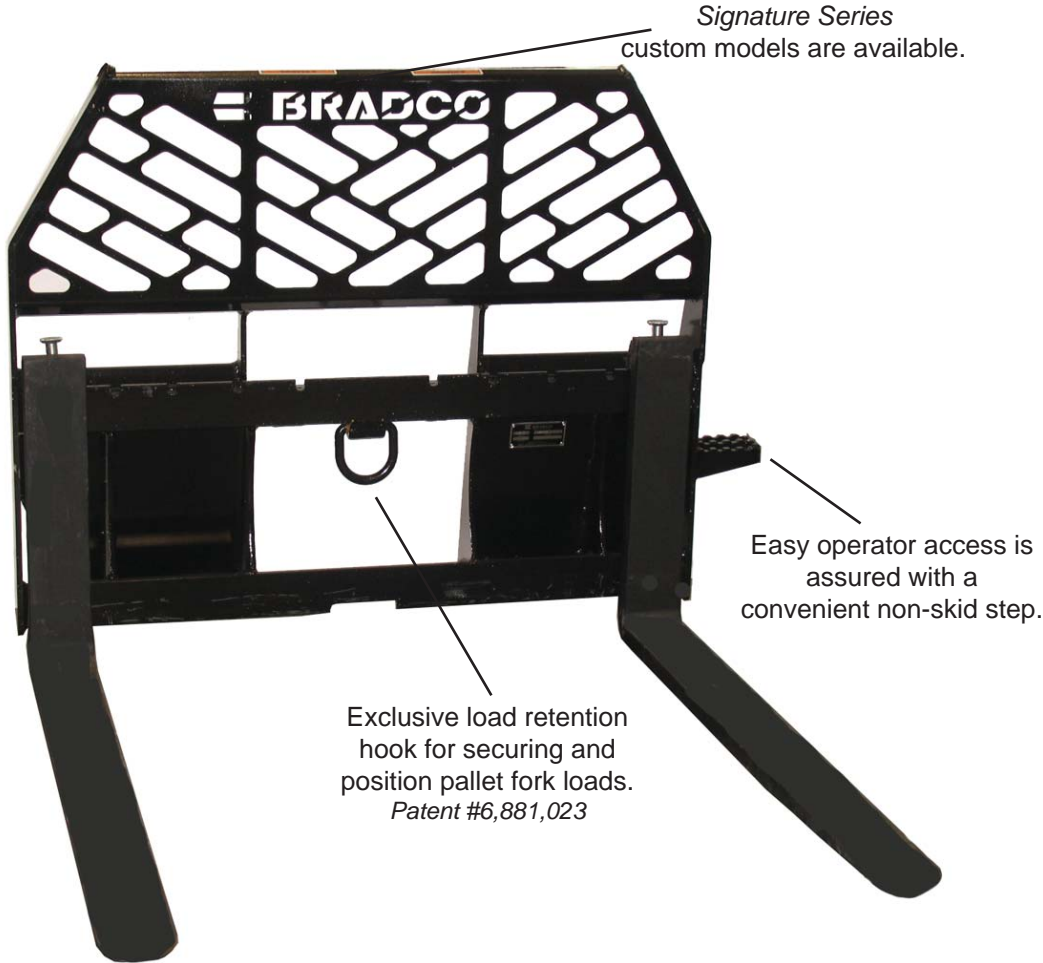


Pallet Fork Frame



PALADIN LIGHT CONSTRUCTION



FEATURES:

- heavy duty frame designed to handle 4,000 - 6,000 lb capacities depending on tine option
- heavy gage brickguard offers outstanding strength and smooth surfaces for protection against load damage
- excellent see through visibility allows the operator to see tine ends
- 36", 42", & 48" tines available
- optional features include Auger Mount, Bale Spear, and 2" Trailer Receiver Hitch
- 2 year limited warranty



Auger Mount



Bale Spear

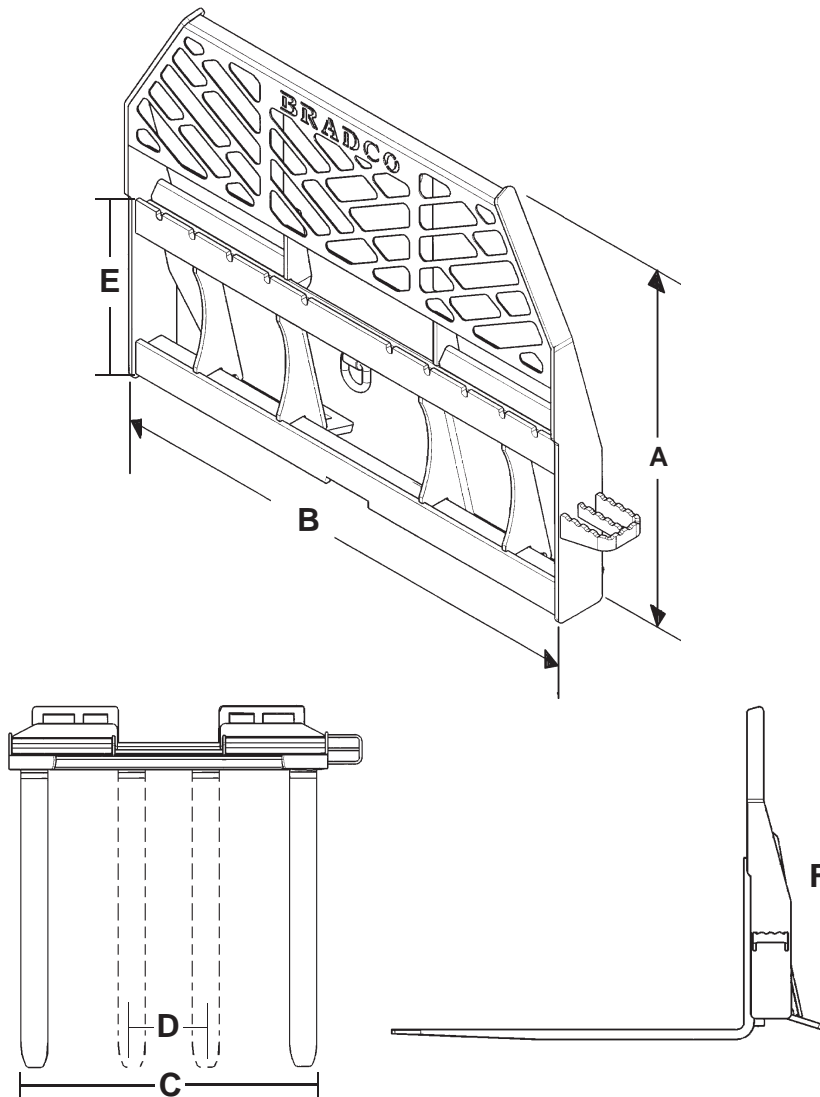


Receiver Hitch

Pallet Fork SPECIFICATIONS

Pallet Fork

A. overall height	38.75"
B. overall width	45.88"
C. adjustable tine spacing - maximum	44.00"
D. adjustable tine spacing - minimum	9.00"
E. ITA Category II fork mounting	16.00"
F. universal skid-steer mount	



Specifications and design are subject to change without notice and without liability, therefore, whenever applicable specifications are in accordance with SAE standards.

B

radco's Signature Series Pallet Fork

system offers excellent visibility and a see through brick guard with an optional personalized name or logo cut into the frame. Other features include a brick guard with angled side corners, and a side step for easy and safe entrance in and out of the skid-steer loader. Patented pull "D" ring or load retention tie down can be used to pull loads out of trucks, retain loads, as well as many other uses.

High visibility Pallet Fork Frame offers several sizes of pallet fork tines:

- 3300# available in 42" & 48"
- 4000# available in 36", 42" & 48"
- 5500# available in 42" & 48"
- 6000# available in 42" & 48"

Optional features include an auger mount for the McMillen auger drives, 2" trailer receiver hitch, and 2 spear or 3 spear bale carrier, the 2 spear is 48" long x 1¾" dia. and (1) 20" long x 1¼" dia. stabilizer tine; 3 spear is 48" long x 1¾" dia. and (2) 20" long x 1¼" dia. stabilizer tines.