

Brush Grapple

For skid-steer loaders

FEATURES:

- 72" and 84" widths available
- designed to pick-up brush and other material while leaving the dirt behind, save you money at the landfill
- dual independent high visibility see through grapples
- helix tooth design to aid in pulling debris into the bucket
- complete protection for cylinders (top, bottom and outboard sides)
- dual hydraulic lock system secures larger debris
- secluded grease zerks
- high strength steel construction
- 2 year limited warranty



PALADIN LIGHT CONSTRUCTION

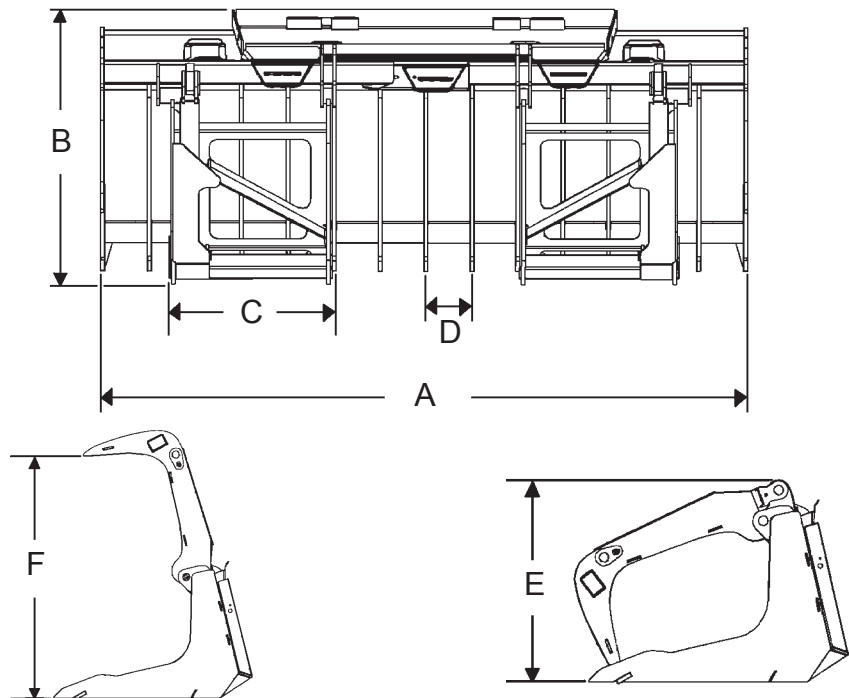


Brush Grapple SPECIFICATIONS

FEATURES:

- double pilot-operated check valve for locking grapple into work
- hydraulic hose and grease zerk protection
- hardened/replaceable bushings
- high grade steel construction

Brush Grapple	72"	84"
A. overall width	72"	84"
B. overall depth	32"	32"
C. grapple width	60"	63"
D. tine spacing	5.5"	6.0"
E. gapple height - closed	3/4"	3/4"
F. grapple hook - open	37"	37"
overall weight (lbs)	663 lbs	763 lbs
clamping force (lbs)	1,250 lbs	1,250 lbs
number of grapple teeth	4	4
number of cylinders	2	2
tine & end plates	1/2"	1/2"
Cylinder Specifications		
bore	2.00"	2.00"
stroke	8.25"	8.25"
rod diameter	1.25"	1.25"



Specifications and design are subject to change without notice and without liability, therefore, whenever applicable specifications are in accordance with SAE standards.

PH: (800) 922-2981
FX: (563) 922-2700

P.O. Box 266
Delhi, IA 52223-0266
United States of America

www.paladinbrands.com



PALADIN LIGHT CONSTRUCTION
B-BG Broc 0603-1