

Backhoes & Accessories



PALADIN LIGHT CONSTRUCTION



609 Backhoe



3265 Backhoe



3509 Backhoe



509 Backhoe

FEATURES:

- four (4) weight/digging force classes available
- 180° bucket rotation & swing arc
- heavy duty construction grade for heavy duty applications
- cushioned cylinders
- dual cylinder swing with swing speed control
*except 265 & 3265
- high clearance swing post design for easier transport loading



509



611



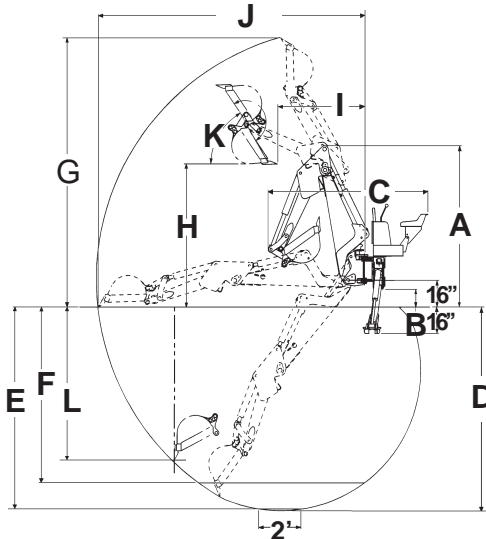
3265

3509 & 3511 Backhoes SPECIFICATIONS

Backhoe	3509	3511
Transport		
A. transport height (with boom fully retracted)	7' 9"	8' 10"
transport width (with stabilizers up)	5' 0"	5' 0"
B. ground clearance	11"	11"
C. overall length	7' 7"	7' 9"
boom pivot height	16"	16"
operating weight with 12" bucket	1425#	1594#
Operational		
D. digging depth maximum	9' 8"	11' 1"
E. digging depth (2 ft.) flat bottom	9' 7"	11' 0"
F. digging depth (8 ft.) flat bottom	8' 3"	9' 11"
G. overall operating height - fully raised	12' 10"	14' 5"
H. loading height	6' 10"	8' 0"
I. loading reach	4' 2"	5' 0"
J. reach from swing post	12' 9"	14' 5"
K. bucket rotation	180°	180°
swing arc	180°	180°
L. straight wall digging depth	7' 3"	8' 2"
stabilizer spread operating position	7' 11"	7' 11"
stabilizer down below grade	16"	16"
system relief valve setting	2100 PSI	2100 PSI
digging force - bucket cylinder	4768#	4768#
digging force - dipper cylinder	2162#	2567#

Buckets & Capacities				
bucket struck size	heaped cap. ft. ³	weight lbs	number of teeth*	
12"	1.43	140	3	
16"	1.98	154	3	
18"	2.25	162	4	
20"	2.52	168	4	
24"	3.07	185	5	
34"	4.23	238	7	
36"	4.48	257	7	
38"	4.73	269	7	

* buckets are also available without teeth



Specifications and design are subject to change without notice and without liability, therefore, whenever applicable specifications are in accordance with SAE standards.

FEATURES:

- dual cylinder swing system with cushioned stop design cylinders provides maximum power
- 3509 & 3511 provides optimum performance with 9-12 GPM hydraulic system
- replaceable steel bushings in all major pivot points
- standard swing speed control
- large diameter boom and dipper cylinders with cushioned stop design
- valve design includes SAE float detent
- severe duty buckets with pin on teeth

Backhoe Accessories

Fixed & Hydraulic Thumb Specifications

Fixed Thumb

clamp force	bucket force
weight	150#

Hydraulic Thumb

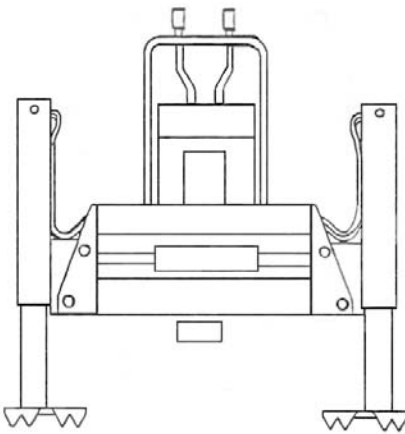
clamp force	80% of bucket force
rotation	120°
weight	130#

Specifications and design are subject to change without notice and without liability, therefore, whenever applicable specifications are in accordance with SAE standards.

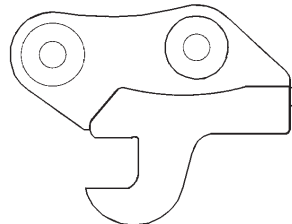


stowed position

Other Optional Accessories



Vertical Stabilizer Assembly



Quick Hitch Coupler



Heavy-Duty Quick Coupler Bucket

FEATURES:

Fixed & Hydraulic Thumb

- fits all 500 & 600 series Bradco backhoes
- buckets available with or without teeth
- heavy-duty construction to resist abrasion and twisting
- designed to mesh with tooth spacing on all 18" to 24" Bradco buckets
- full bucket break-out force to clamp loads on the fixed thumb
- exclusive knuckle arm allows compact stowage with no loose pieces to store
- conversion kit available to transform knuckle arm thumb to hydraulic
- new hydraulic version provides smooth, confident placement of materials

Other Optional Accessories

- vertical stabilizer assembly available for the 408, 509, 509, 609, & 611
- quick hitch coupler available for the 509, 511, 609, & 611
- heavy-duty quick coupler buckets
- quick coupler ditch buckets